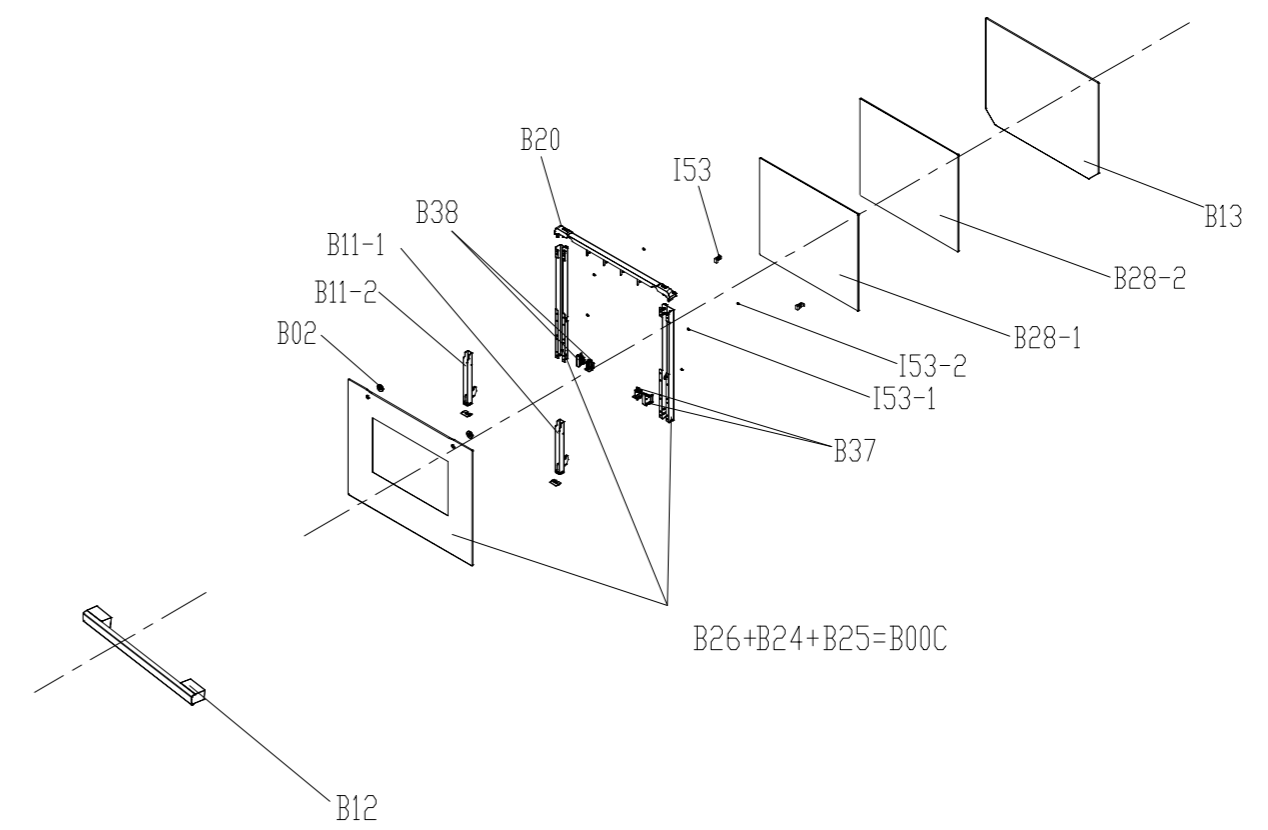
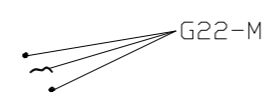
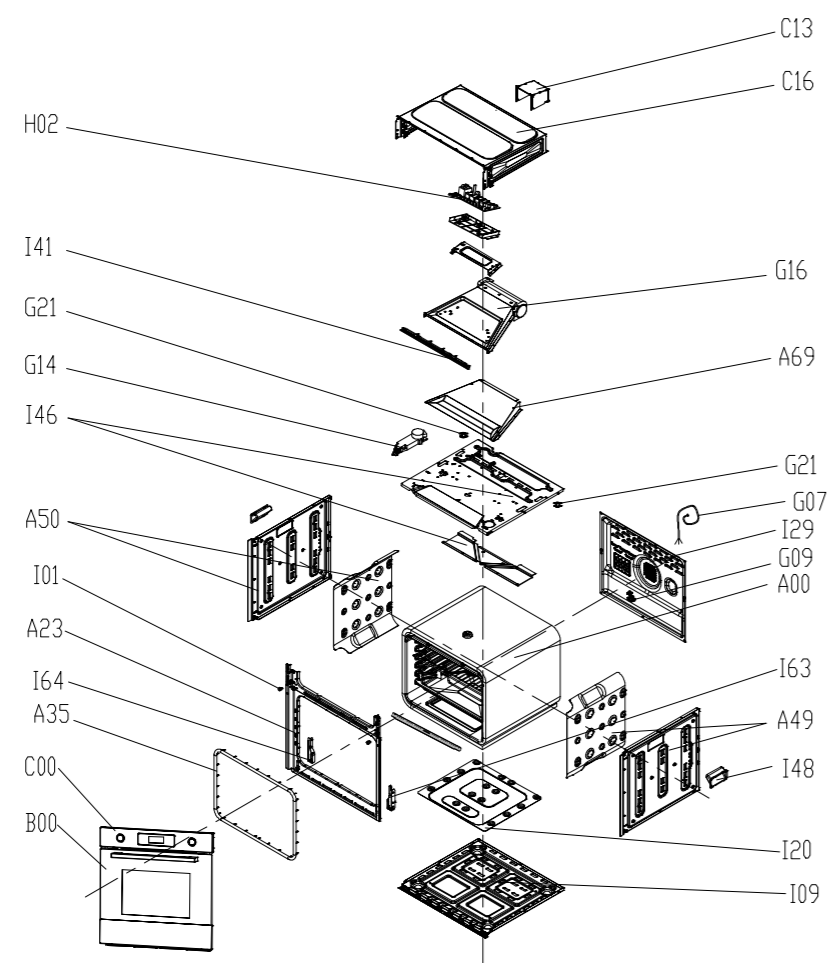
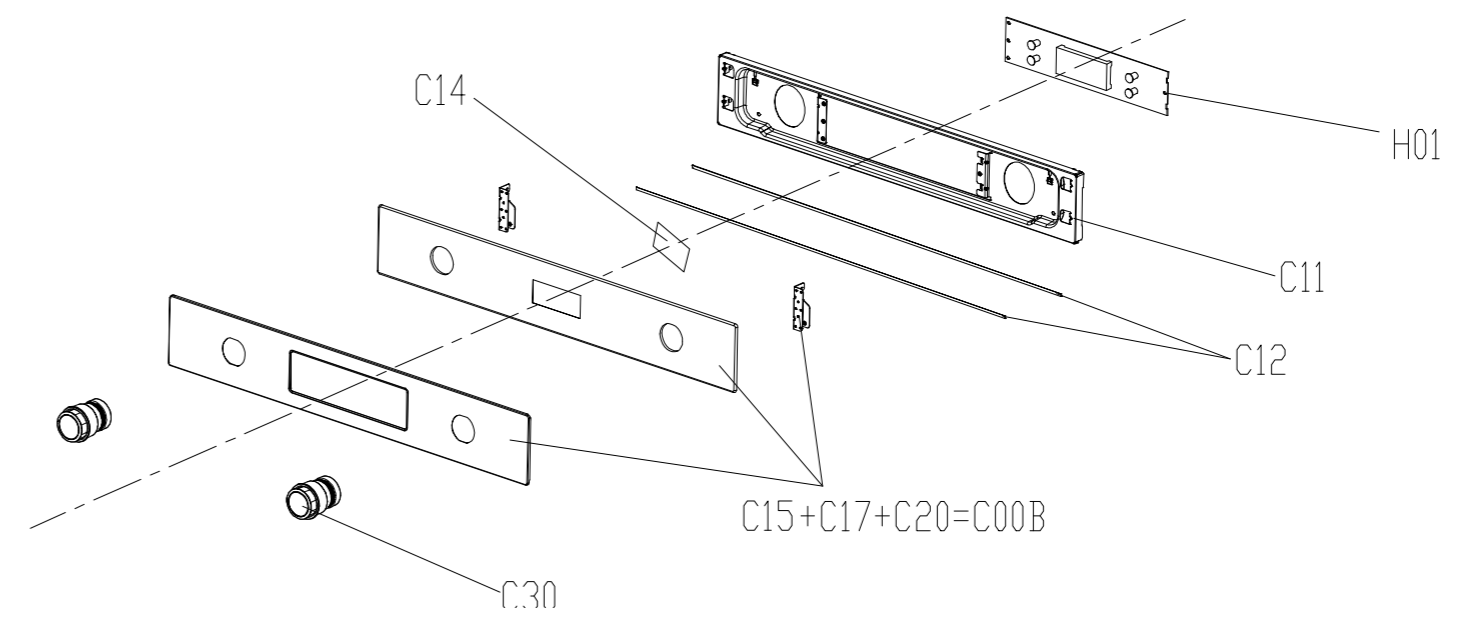
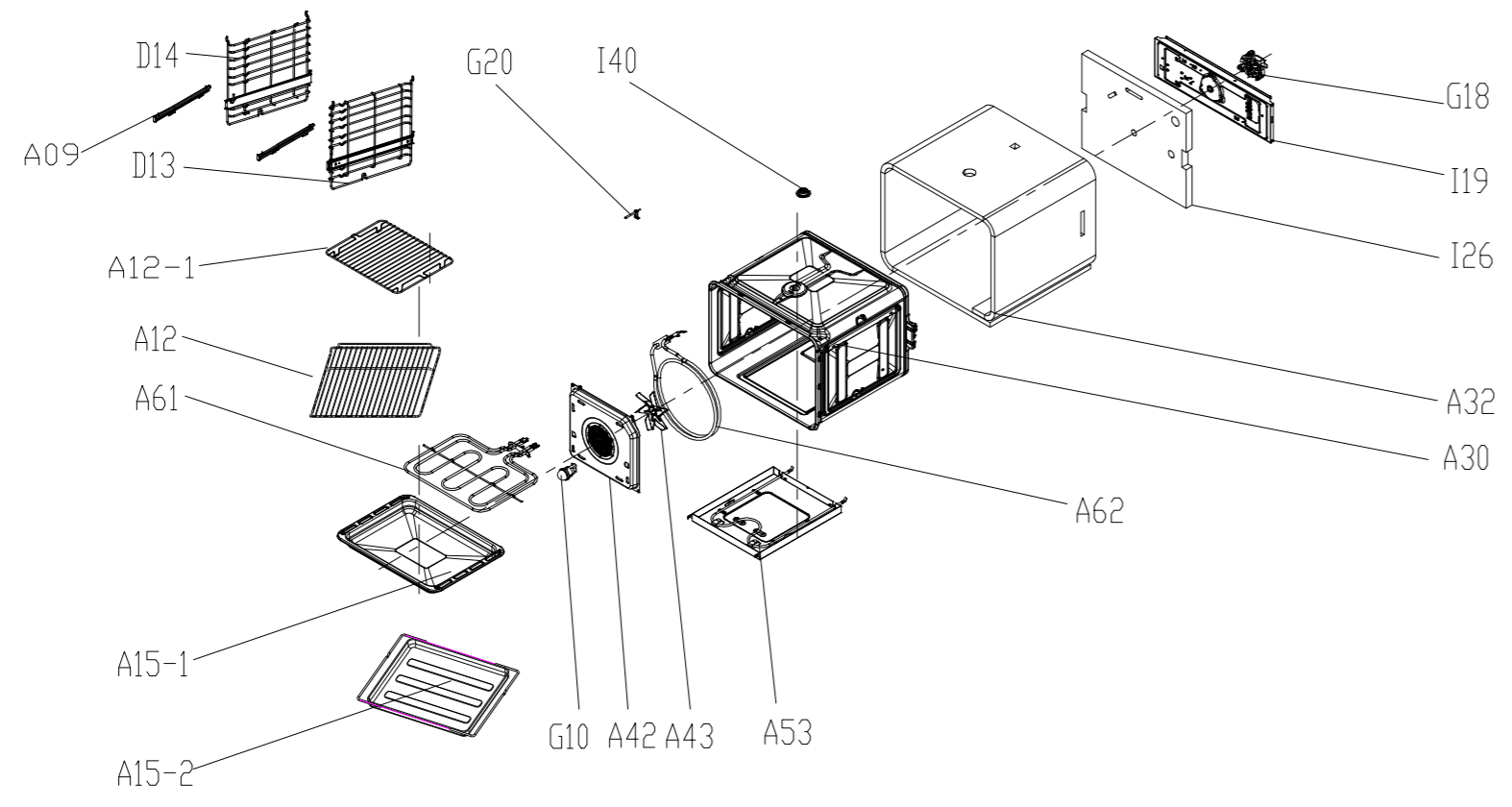


Electric Multifunction Oven
Model Number
CLMFBLKEU
Parts Manual



Spares List

ID No	Apelson Code	MPN	Description	Qty	Remark
I39	AA0000003401	12971100019877	COVER BRACKET	1	
H03	AA0000002255	17171100003103	KEY-PRESS BOARD	2	
A09	AA0000003402	12971100026371	SLIPPERY ORBIT	1	
A12	AA0000003403	12971100019459	BAKE RACK	1	
A12-1	AA0000000460	12971100014762	BAKE RACK	1	
A15-1	AA0000002743	12271100A24953	GRILL TRAY	1	
A15-2	AA00000103404	12971100A96780	COOKING BASKET	1	
A23	AA0000000474	12271100003765	FRONT PLATE	1	
A30	AA0000003405	12271100010705	CAVITY ASSEMBLY	1	
A32	AA0000003406	12471100001442	CAVITY INSULATION COTTON	1	
A35	60501335	12671100000394	SEAL RING	1	
A42	AA0000000898	12271100002151	CONVECTION MOTOR COVER	1	
A43	129711000010	12971100001067	CONVECTION FAN	1	
A49	AA0000003407	12271100018573	RIGHT COVER	1	
A50	AA0000003408	12271100018571	LEFT COVER	1	
A53	25107535	17471100001480	METAL HEATER	1	
A61	291200800051	17471100000574	METAL HEATER	1	
A62	261201702190	17471100000261	METAL HEATER	1	
A69	AA0000003409	12271100005007	AIR GUIDE GROOVE	1	
B00	AA0000003410	12971100A96257	DOOR ASSEMBLY	1	This is a set, please need to purchase them together.
B00C	AA0000003411	12971100A97044	DOOR DROP GLUE ASSEMBLY	1	
B02	AA0000000956	12171100002694	HANDLE HOLDER	2	
B11	AA0000003412	12971100020573	DOOR HINGE ASSEMBLY	2	
B12	AA0000003413	12971100027530	DOOR HANDLE ASSEMBLY	1	
B13	AA0000003414	12571100000370	GLASS DOOR SCREEN	1	
B20	AA0000002793	12171100005039	DOOR FRAME UPPER COVER	1	
B28-1	AA0000000484	12571100000360	DOOR MIDDLE GLASS	1	
B37	AA0000000402	12171100001415	DOOR ROTATING BRACKET	1	
B38	121711000014	12171100001414	DOOR ROTATING BRACKET	1	
C00	AA0000003415	12971100A96258	CONTROL PANEL ASSEMBLY	1	This is a set, please need to purchase them together.
C00B	AA0000003416	12971100A96767	CONTROL PANEL DROP GLUE ASSEMBLY	1	
C11	AA0000003417	12271100006169	CONTROL PANEL HOLDER	1	
C12	AA0000000407	12471100000054	SPONGE	2	
C13	122711000050	12271100005023	CONTROL PANEL BACK COVER	1	
C16	AA0000000038	12271100005021	CONTROL PANEL COVER	1	
C30	AA0000003381	12171100006281	KNOB ASSEMBLY	2	

D13+D14	AA0000003418	12971100020838	RAIL BRACKET	2	
G07	AA0000000456	17471100000137	EUROPEAN STANDARD POWER CORD	1	
G09	AA0000001609	17471100004383	TERMINAL BLOCK	1	
G10	AA0000003419	17471100008589	INTEGRATED LAMP	1	
G16	AA0000000477	17471100000145	FAN ASSEMBLY	1	
G18	AA0000000899	17471100000162	FAN ASSEMBLY	1	
G20	62101070	17171100000920	SENSOR ASSEMBLY	1	
G21	62101060	17471100002793	THERMOSTAT	1	
G21	62101065	17471100002796	THERMOSTAT	1	
G22-M	AA0000003420	17471100000518	MAIN WIRE HARNESS	1	
H01	AA0000003421	17171100005568	DISPLAY BOARD	1	
H02	AA0000003422	17171100007148	POWER BOARD	1	
I01	AA0000000041	12971100001049	SCREW PACK ASSEMBLY	1	
I09	AA0000000896	12271100010545	BOTTOM COVER	1	
I19	AA0000003423	12271100018635	SUPPORT PLATE	1	
I26	AA0000003424	12471100001443	BACK INSULATION COTTON	1	
I29	122711000052	12271100005233	BACK COVER	1	
I40	AA0000000900	12271100010565	VENT PIPE	1	
I46	AA0000000903	12271100010547	UPPER COVER	1	
I48	AA0000000044	12171100000295	HANDLE	2	
I53-1	AA0000000401	12671100000096	RUBBER GASKET	4	
I53-2	AA0000000466	12671100000274	RUBBER GASKET	2	
I63	129711000004	12971100000470	HINGE BRACKET	1	
I64	129711000005	12971100000534	HINGE BRACKET	1	